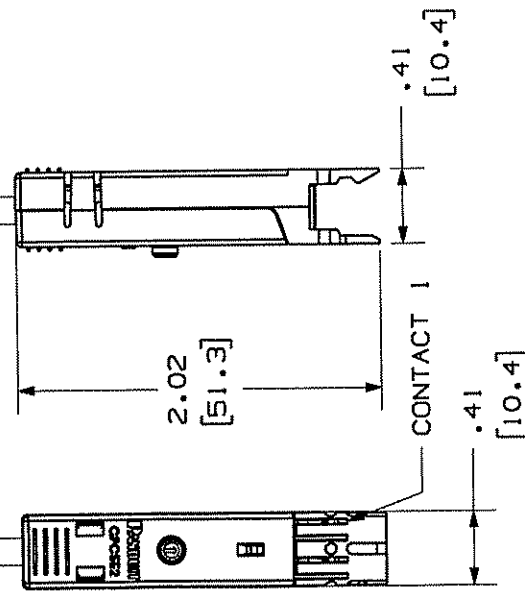
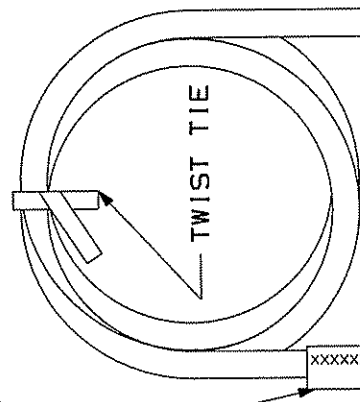


THIS COPY IS PROVIDED ON A RESTRICTED BASIS AND IS NOT TO BE USED IN ANY WAY DETRIMENTAL TO THE INTERESTS OF PANDUIT CORP.

IDENTIFICATION LABEL

CONTACT	CABLE WIRE COLOR
1	WHITE/BLUE
2	BLUE
3	WHITE/ORANGE
4	ORANGE



- NOTES: CURRENT CATALOG FOR VARIOUS APPLICATIONS AND TO INDICATE PACKAGE QUANTITY.
1. GIGA-PUNCH CONNECTORS ON BOTH ENDS. THE PATCH CORDS CAN BE USED WITH GIGA-PUNCH CONNECTING BLOCKS.
 2. FEATURES INCLUDE A CLEAR CAP TO ENSURE PROPER WIRE SEQUENCE AND CONNECTOR ORIENTATION. RETAINING CLIP SECURE THE JACKET CLOSE TO THE POINT OF TERMINATION WHICH MINIMIZES WIRE UNTWISTING. INTEGRAL STRAIN RELIEF MINIMIZES STRESS ON WIRES DURING DISCONNECTION.
 3. TO CONNECTOR BLOCK.
 4. POLARIZED TO PREVENT REVERSE INSTALLATION TO CONNECTOR BLOCK.
 5. CATEGORY 5 UNSHIELDED TWISTED PAIR CABLE WITH 24AWG STRANDED TINNED COPPER CONDUCTOR.
 6. DIMENSIONS IN PARENTHESES ARE IN METRIC.

PANDUIT P/N	MIN. CABLE LENGTH	WEIGHT
GPPC21G3Y	3 FT.	.998 LB/10 PCS (452.69 g/10 PCS)
GPPC21G5Y	5 FT.	1.505 LB/10 PCS (682.66 g/10 PCS)
GPPC21G7Y	7 FT.	1.856 LB/10 PCS (841.87 g/10 PCS)
GPPC21G9Y	9 FT.	2.125 LB/10 PCS (963.88 g/10 PCS)
GPPC21G14Y	14 FT.	3.029 LB/10 PCS (1373.93 g/10 PCS)
GPPC21G20Y	20 FT.	3.866 LB/10 PCS (1753.59 g/10 PCS)
GPPC21G1MY	1 METER	1.091 LB/10 PCS (495.07 g/10 PCS)
GPPC21G2MY	2 METER	2.183 LB/10 PCS (990.14 g/10 PCS)
GPPC21G3MY	3 METER	3.274 LB/10 PCS (1485.20 g/10 PCS)
GPPC21G5MY	5 METER	5.457 LB/10 PCS (2475.34 g/10 PCS)

MODEL FILENAME		DRAWING FILENAME		TITLE		SIZE			
		M02479LA_DC288_00B.PRT		2 PAIR GIGA-PUNCH PATCHCORD GPPC21GXXY CUSTOMER DRAWING		A			
PANDUIT™		TINLEY PARK, ILL. 60477		I.I. NUMBER		PRODUCT SPEC			
ALL DIMENSIONS UNLESS OTHERWISE SPECIFIED.		DIMENSIONAL TOLERANCES ARE:		SCALE		NONE			
(.XX) ±.031(.8) ANGLES ±		(.XX) ±.031(.8) ANGLES ±		PART NO.		SEE CHART			
DRAWN BY TA		DATE 3-18-06		DRAWING NO.		02479-288			
REV	DATE	BY	CHK	DESCRIPTION	ECN	R	CUST	SUP	OTH
R	3-18-06	TA	MK	RELEASED TO PRODUCTION	02479-288		1-10		